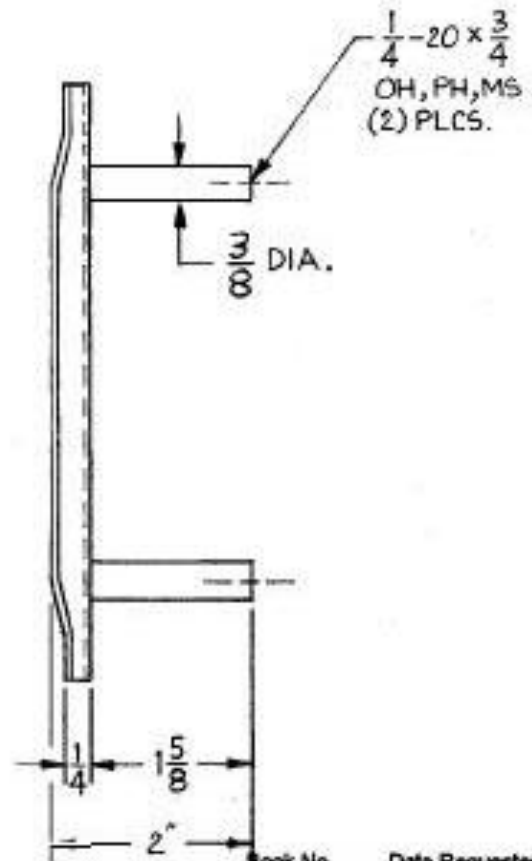
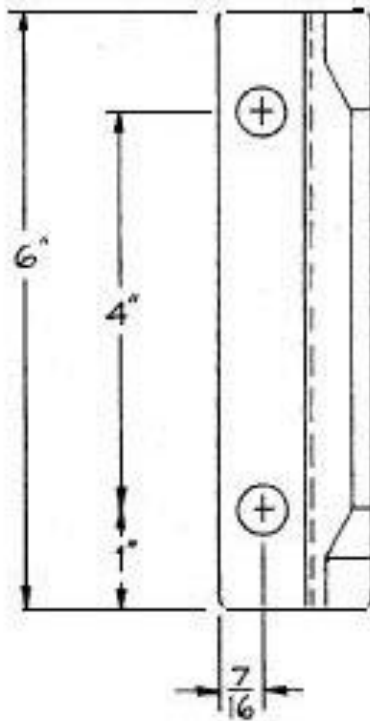
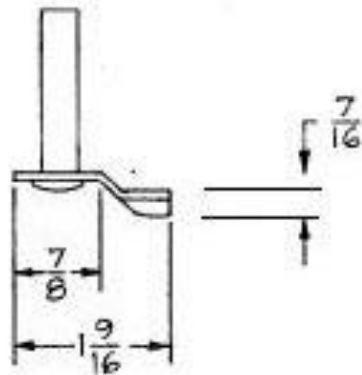


NOTES:

1. AVAILABLE IN 630 FINISH ONLY.

REVISIONS

LTR	DESCRIPTION	DATE	CHECKED
-	NEW DWG.	1-18-95	<i>[Signature]</i>
A	ADDED: DIM. $\frac{3}{8}$ DIA.	9-15-95	<i>[Signature]</i>



Book No. _____ Date Requested: _____
 This template is provided for use only on the job for which it was requested.
 Trimco/BBW reserves the right to make design changes without notice.

Trimco / BBW
 Triangle Brass Manufacturing Company, Inc.
 3528 Emery Street, P.O. Box 23277
 Los Angeles, CA 90023, USA

SCALE

TITLE 5002(BBW #9616)

LOCK ASTRAGAL

PART NO

DRAWN BY T.A. 1-18-95

A DWG. NO. 11374