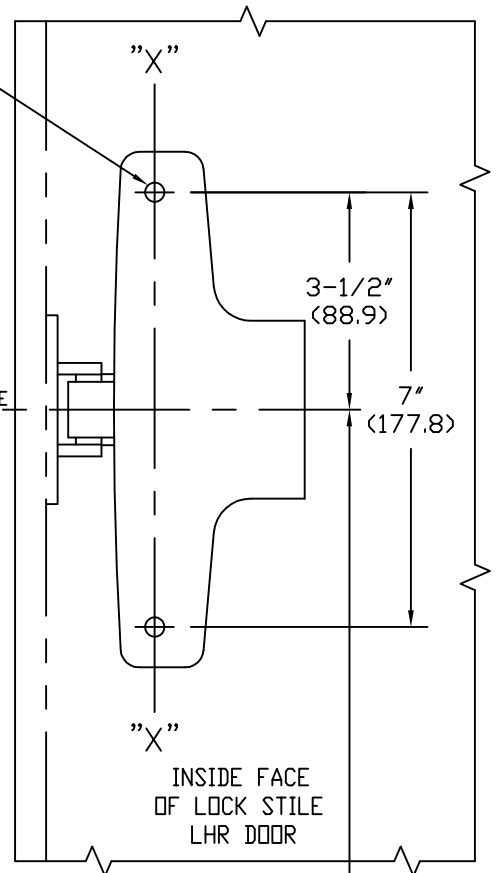


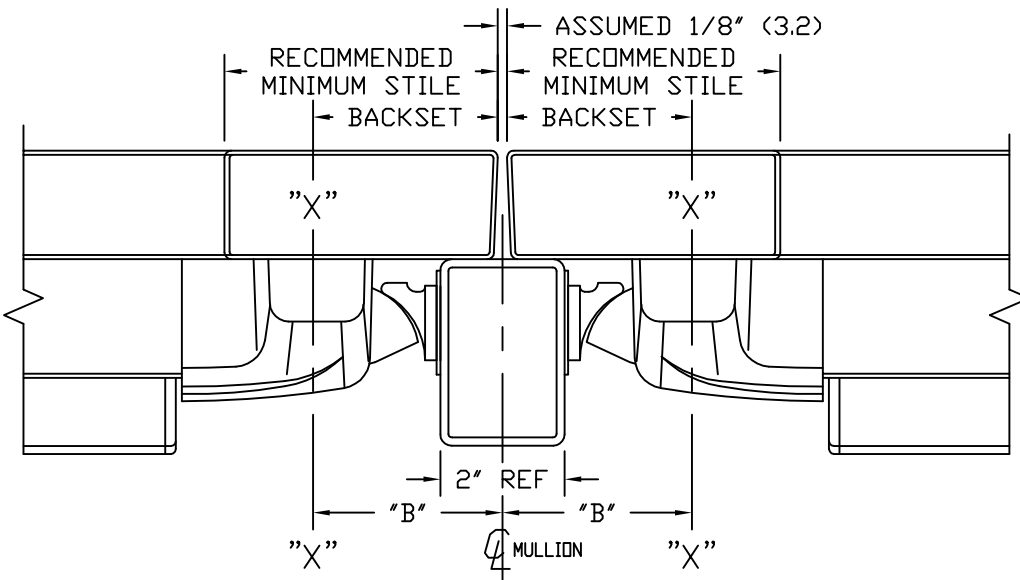
DRILL AND TAP 1/4-20 THREADS THRU THIS SIDE OF DOOR ONLY



SINGLE DOOR INSTALLATION				
STRIKE	DIM. "B"	BACKSET	RECOMMENDED MINIMUM STILE	DEVICE TYPE
99	1-3/4" (44.5)	2-1/4" (57.2)	3-1/2" (88.9)	STANDARD
98	1-1/4" (31.8)	1-3/4" (44.5)	2" (50.8)	NSK *

NOTES:

1. DIMENSIONS SHOWN IN INCHES AND (mm)
2. ASSUME A 5/8" STOP
- *3. FOR ALUMINUM DOORS WITH NO BLADE STOP, USE TEMPLATE T1010.



DOUBLE DOOR INSTALLATION WITH MULLION					
MULLION	STRIKE	DIM. "B"	BACKSET	RECOMMENDED MINIMUM STILE	DEVICE TYPE
90KR & F90KR**	99	2-3/4" (69.9)	2-11/16" (68.3)	4" (101.6)	STANDARD
90KR & F90KR**	98	2-1/4" (57.1)	2-3/16" (55.6)	2-7/16" (61.9)	NSK

40" (1016) HEIGHT (RECOMMENDED)
37" (940) MIN. HEIGHT TO FINISHED FLOOR

**STRIKE HOOK HOLE LOCATION SHOULD BE FIELD PREPARED

HDG. _____ DR. _____

RESPONSIBILITY
Door and Frame Manufacturers are responsible for providing adequate construction or reinforcements for proper installation of hardware shown. All architectural builders hardware must be installed on properly reinforced doors and frames regardless of the type, material or method of construction.

TEMPLATE
METAL/ALUMINUM DOOR
4001 & F4001 SERIES
V4001 & FV4001 SERIES
RIM EXIT DEVICE
BP-2 or BP-8 MOUNTING PLATE

DETEX
CORPORATION

DO NOT SCALE DRAWING

DATE 4-16-09 TEMPLATE NUMBER T1002